

**NORTH AMERICAN DESIGN**

**3 YEARS EXTENDED WARRANTY**



### Standard Cavity

The Sytechs ST-S PYSB series Standard cone crushers are designed to produce more of medium to coarse size aggregates. This type of cones are mainly used in secondary and tertiary crushing stages in quarries and mineral mines

### Proven Reliability

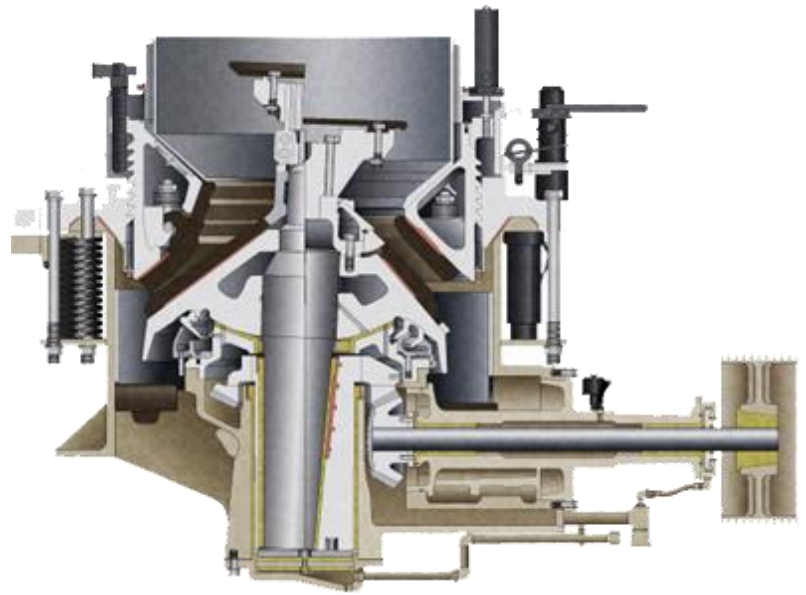
The reliability and safe operation of the Sytechs cone crushers are the result, among other things, of their high-quality steel. Their reliability in demanding crushing applications is guaranteed by (Sytechs) acclaimed metallurgical know-how and ongoing development projects involving manganese materials and metallurgical compounds.

### Low Production Costs

Sytechs has used its long experience in liner profile design and its know-how in wear part metallurgy to minimize the cost of worn manganese per tons produced.

### Large Feed Opening

The ST-S concept allows large feed openings with a fairly small cone diameter. This is especially important in secondary applications as it means you can open your primary jaw crusher wider and potentially increase the capacity of your plant. Symons standard cone crushers in the secondary line can also be used in gravel pits as primary crushers.



For more technical details, please download the brochure



## SYTECHS STANDARD CONE CRUSHERS

Type	ST-PYS-B				ST-PYS-B		
Model	607	609	610	910	917	918	
Cavity	F	M	C	F	M	C	
Diameter of Cone	600 (2')				900 (3')		
Feed Opening (mm)	72	109	109	102	175	178	
Discharge Setting (mm)	6-38	9-38	13-38	9-22	13-38	25-38	
Capacity (Tons/hr)	16-54	18-68	23-72	45-91	59-163	118-163	

Type	ST-PYS-B				ST-PYS-B			
Model	1213	1215	1219	1225	1313	1321	1324	1325
Cavity	F	M	C	EC	F	M	C	EC
Diameter of Cone	1200 (4')				1259 (4 1/4')			
Feed Opening (mm)	131	156	191	250	137	210	241	259
Discharge Setting (mm)	9-31	13-38	19-51	25-51	13-31	16-38	19-51	25-51
Capacity (Tons/hr)	63-188	100-200	141-308	190-317	109-181	132-253	172-349	236-358

Type	ST-PYS-B				ST-PYS-B			
Model	1620	1624	1626	1636	2127	2133	2136	2146
Cavity	F	M	C	EC	F	M	C	EC
Diameter of Cone	1676 (5 1/2')				2134 (7')			
Feed Opening (mm)	209	241	269	368	278	334	369	460
Discharge Setting (mm)	16-38	22-51	25-64	38-64	19-38	25-51	31-64	38-64
Capacity (Tons/hr)	181-327	258-417	299-635	431-630	381-726	608-998	789-1270	880-1361

### Soft Start Drive (SSD) System

The ST-S Series Cone crushers are supplied with Soft Start Drives (SSD) System which are used to limit inrush current associated with electric motor startup. Soft-start drives lower the initial voltage by adding solid-state series impedance and ramp up until full speed is achieved. Doing this extends the life of the motor and mechanical components that are connected to it. The SSD also eliminates high inrush current on large electric motors which places a high demand (Power Surge) on the electrical supply system and often results in extra cost and larger power generators.

Guaranteed performance when original Symonstechnology (Sytechs) parts are used, a long lifetime of the cone crusher is guaranteed

Wearing parts are available with High Manganese MN13%, Mn18%, Mn21%

For any inquiry, please contact [int-sales@comairsoll.com](mailto:int-sales@comairsoll.com)